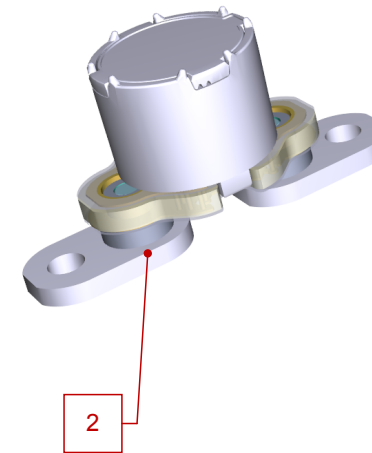
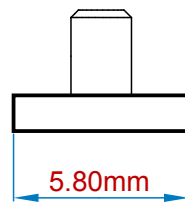


View from Front side (Scale 4:1)



Notes:

① M2x3mm Torx screw, to screw on Larisa, Lisa, Crystal, Emma and Lily

② Installation Example

<b>Fitting 10mm</b>	Version: V1.0	innoflyer Weissenstr. 81 4500 Solothurn Switzerland <a href="http://www.innoflyer.ch">www.innoflyer.ch</a>	<b>innoflyer</b> www.innoflyer.ch
<b>Product Specification</b>	Size: A4		
File: Fitting LU 10mm.PCBDwf		Name: Christoph Raible	Date: 17.01.2017