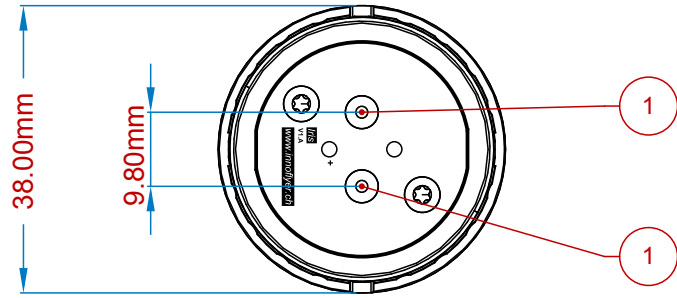
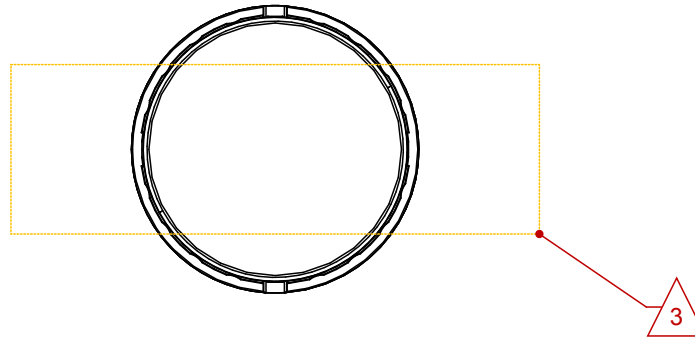


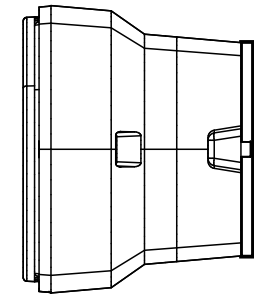
View from Bottom side (Scale 1:1)



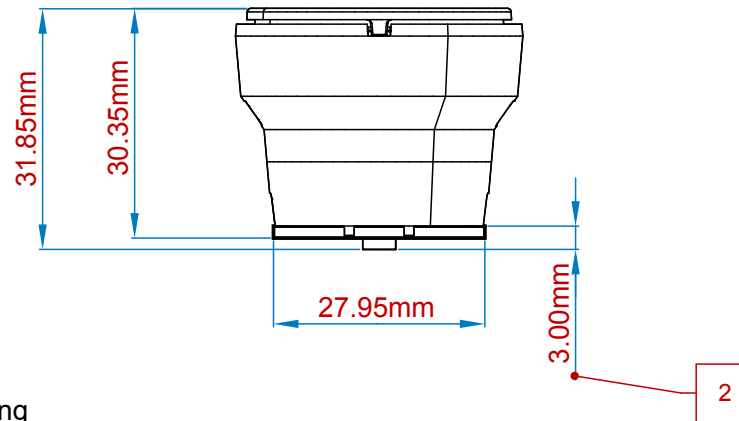
View from Top side (Scale 1:1)



View from Right side (Scale 1:1)



View from Front side (Scale 1:1)



Notes:

- ① M2 thread for installation and thermal coupling
- ② Respect max. thread depth of 3mm
- ③ Beam direction of variant Oval/Ribbed
- 4. Avoid bending the cable too sharply when laying it out
- 5. Max. LED current: 350mA
Use Light Driver 5.0 in P&P and MLT Mode for higher LED currents

Iris	Version: V1.0	innoflyer Weissensteinstr. 81 4500 Solothurn Switzerland	innoflyer www.innoflyer.ch
Product Specification	Size: A4		
File: Iris.PCBDwf		Name: Christoph Raible	Date: 10.01.2017